

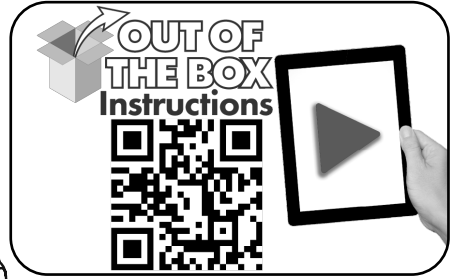
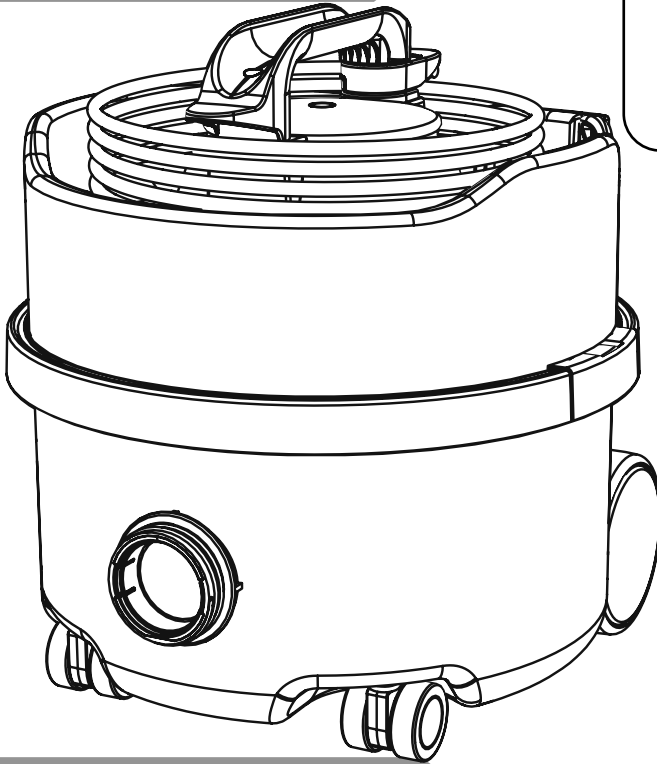
ERP180

(420W)

(AUSTRALIAN)

Numatic

numatic.com



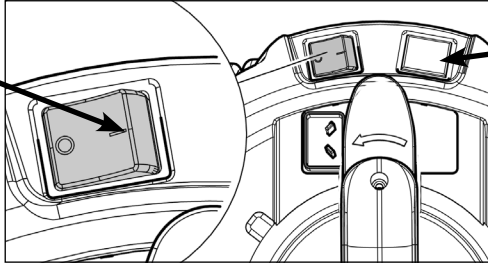
Original Instructions

CAUTION,
Read the Instructions before using the machine.

Edco

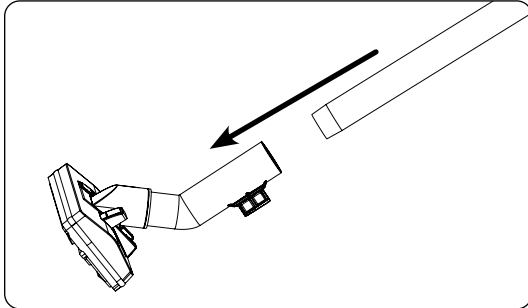
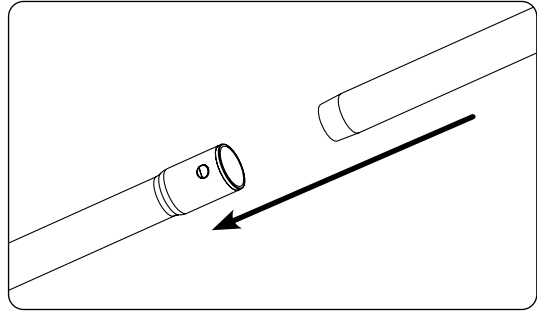
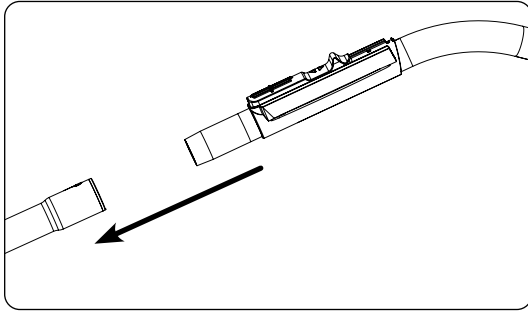
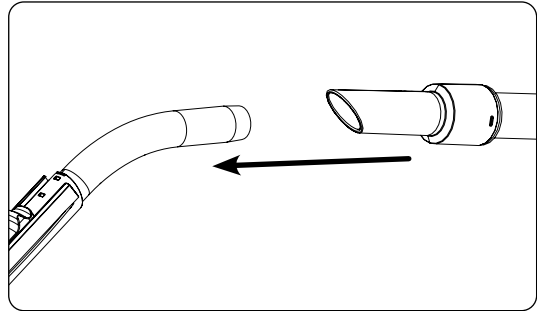
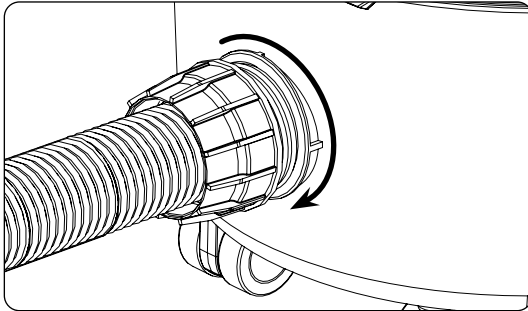
Power On / Off Switch

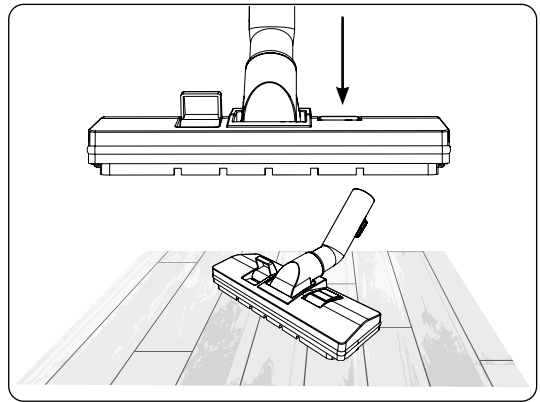
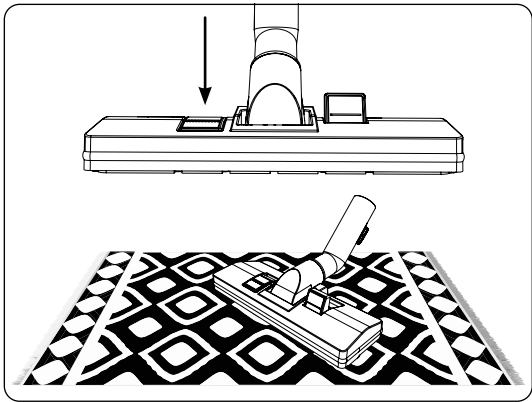
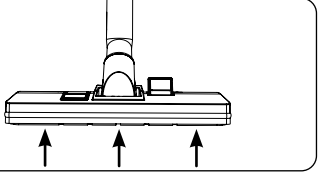
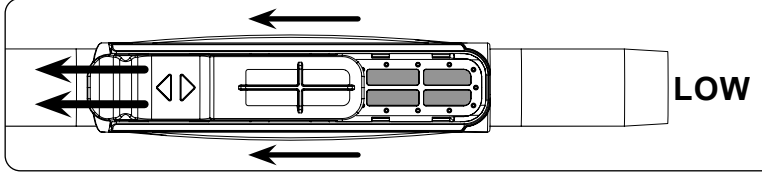
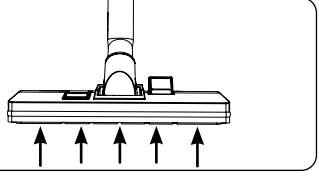
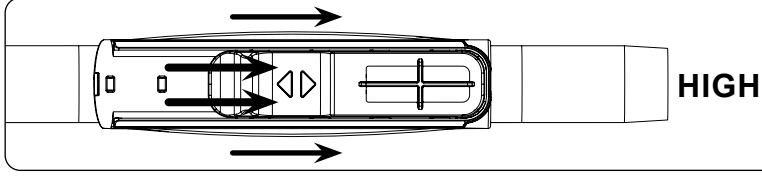
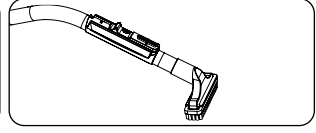
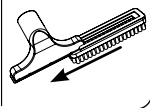
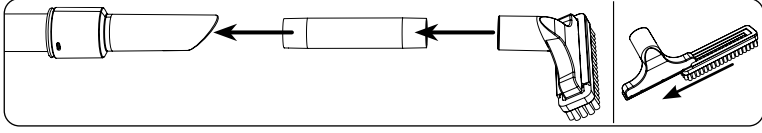
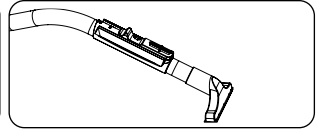
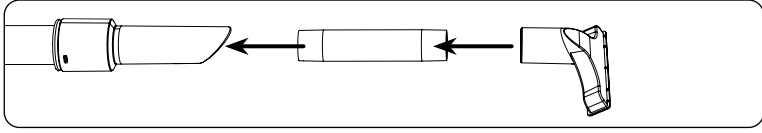
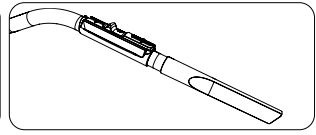
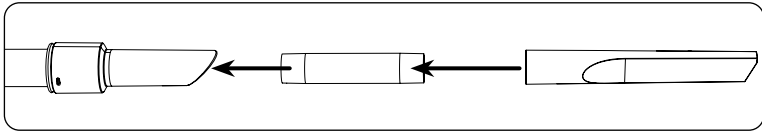
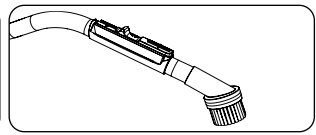
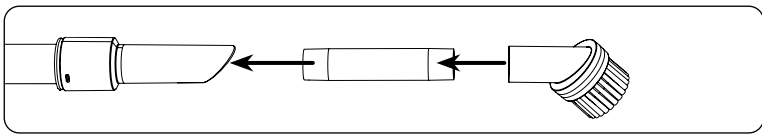
Power On Indicator Light



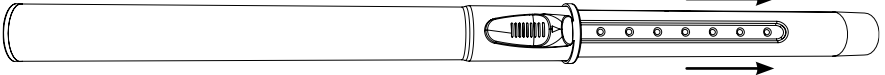
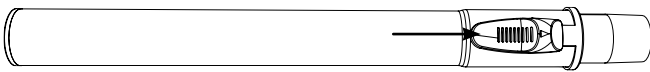
Assembly

Kit 1

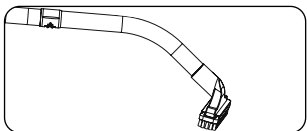
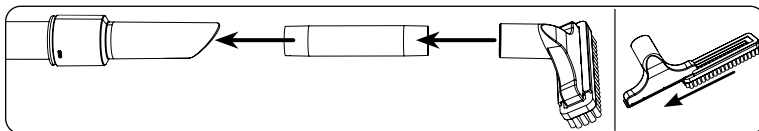
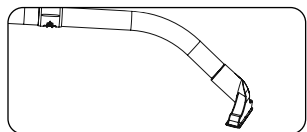
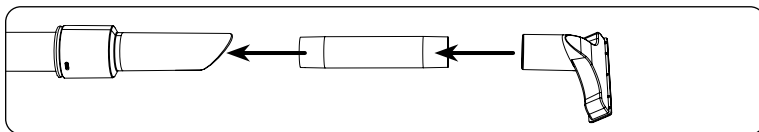
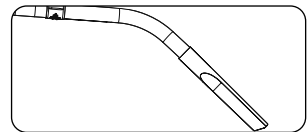
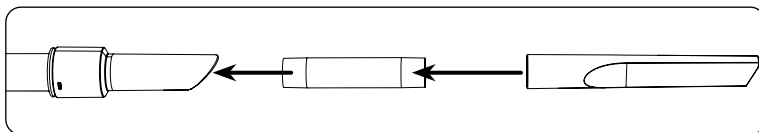
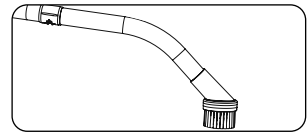
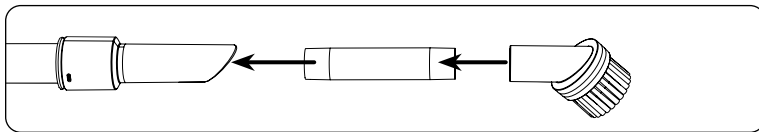
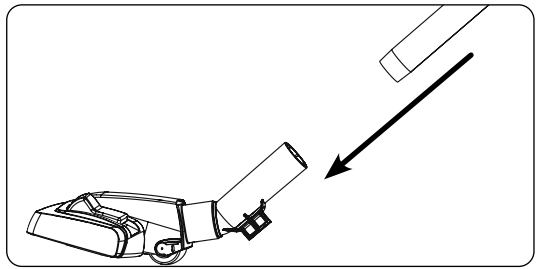
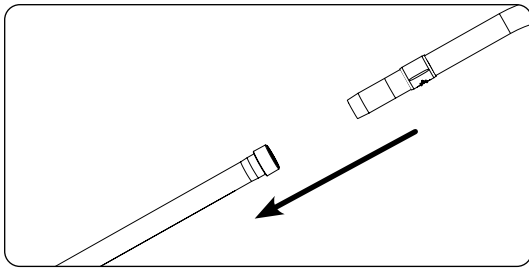
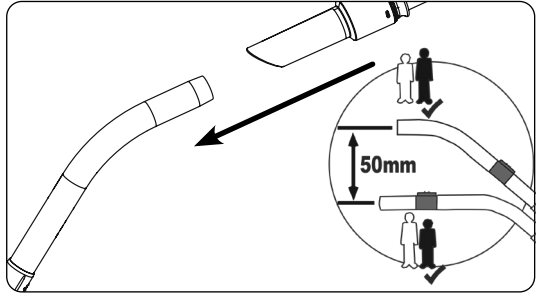
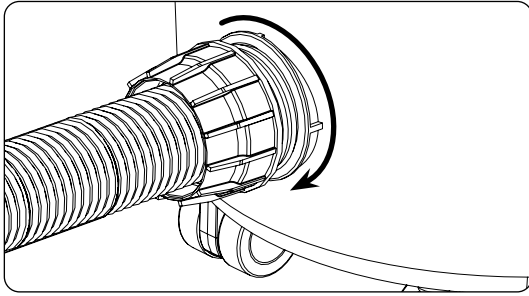


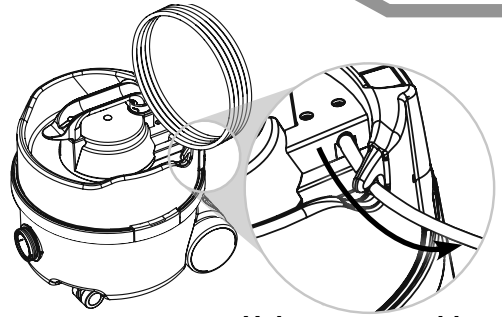
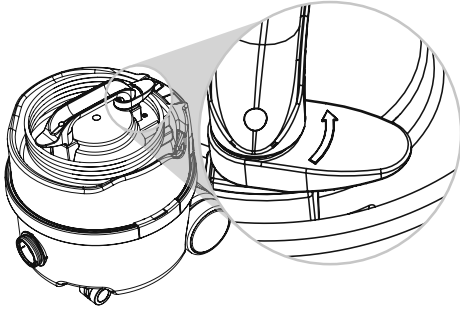


Optional
Accessory



Kit Variation 2

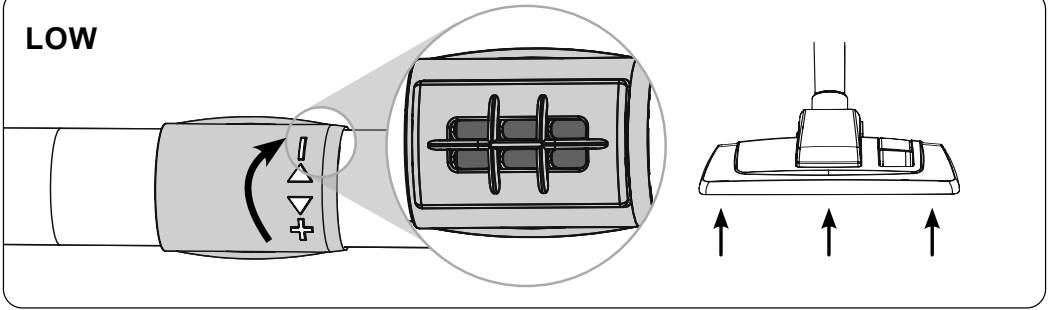




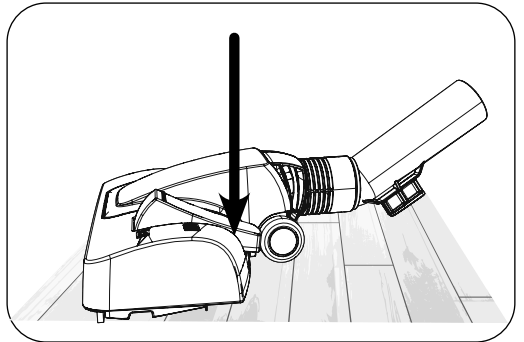
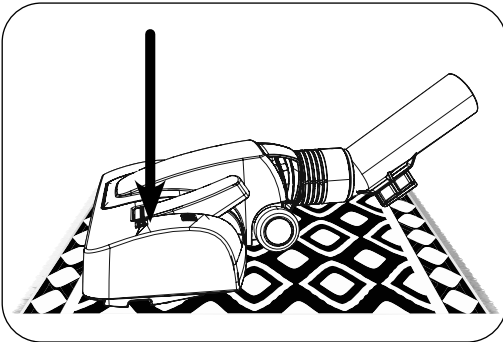
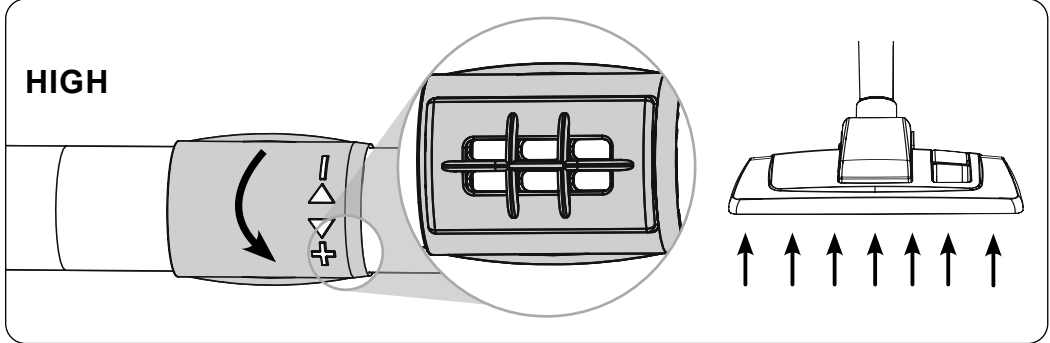
Using your machine

Kit Variation 2

LOW

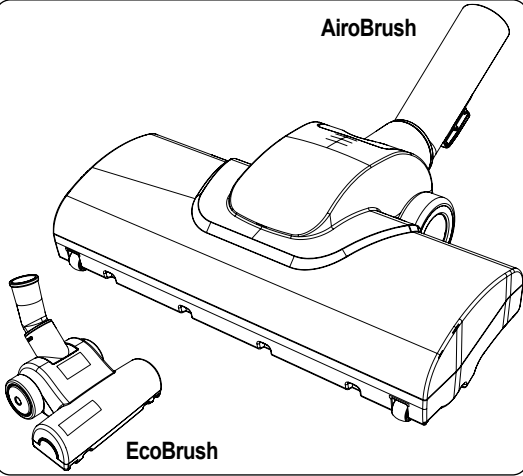


HIGH

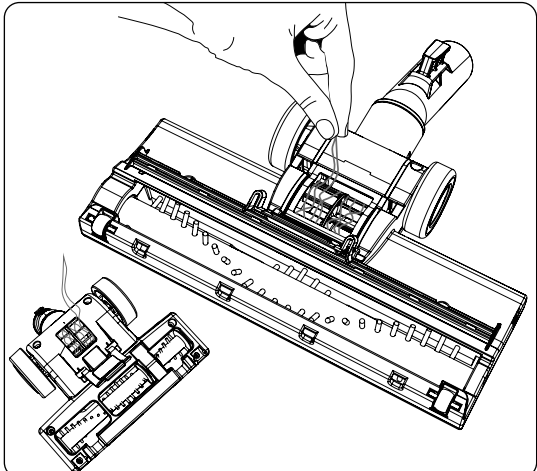
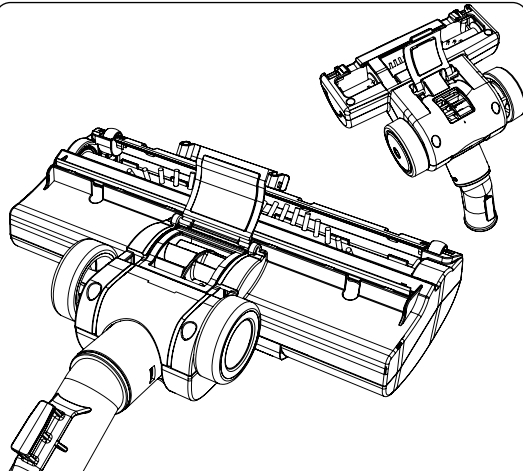
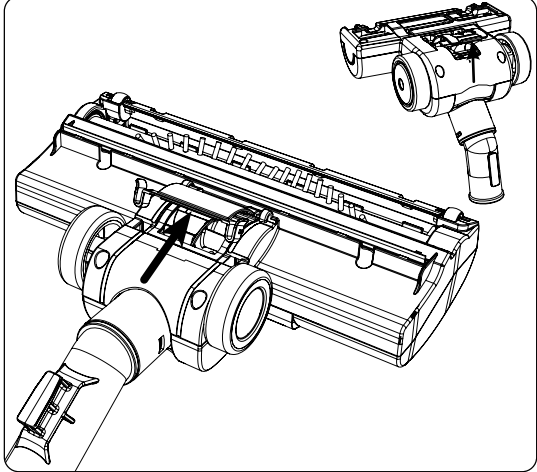
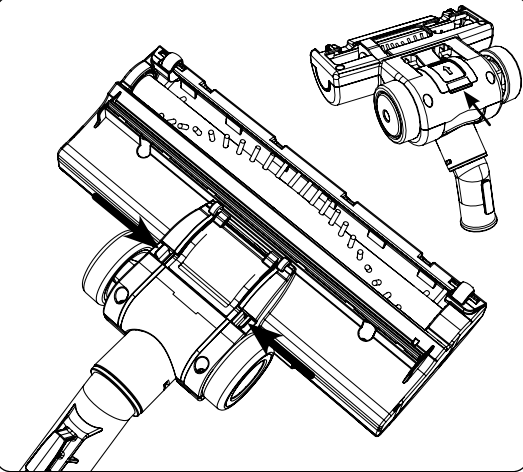
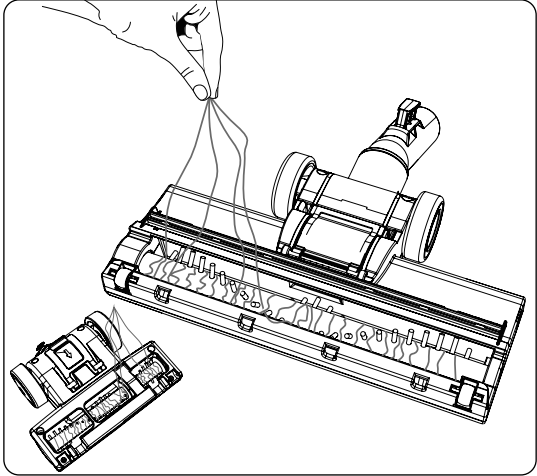


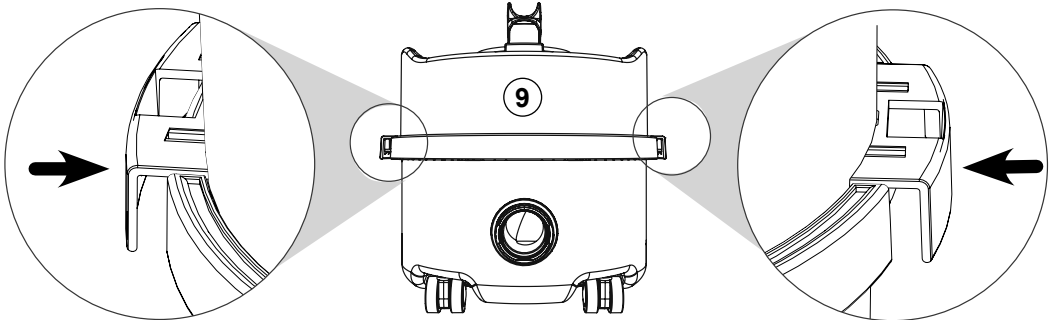
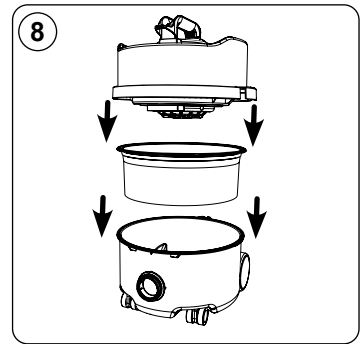
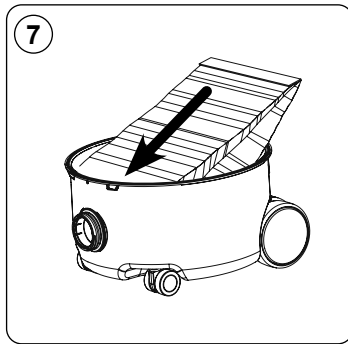
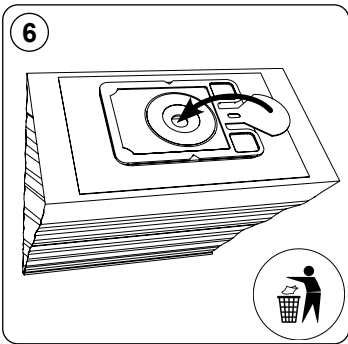
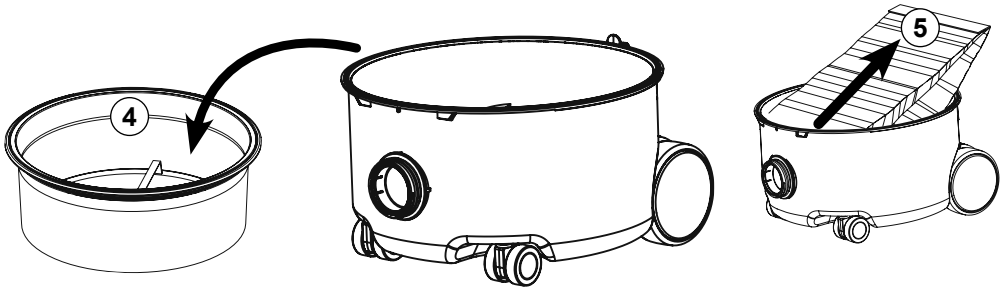
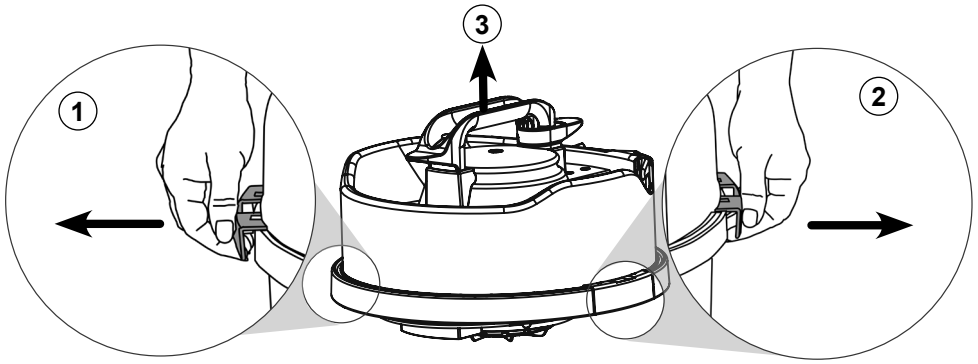
Optional Accessory

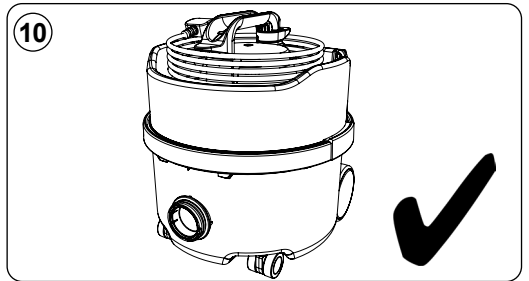
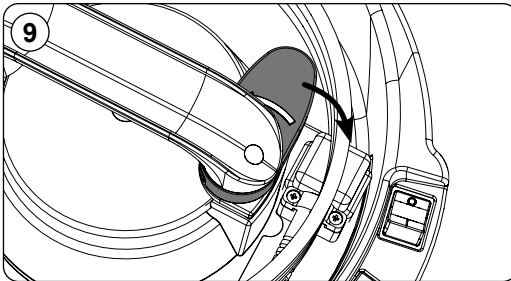
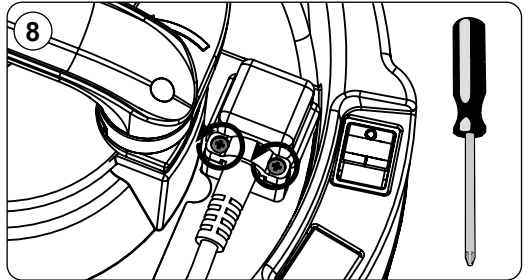
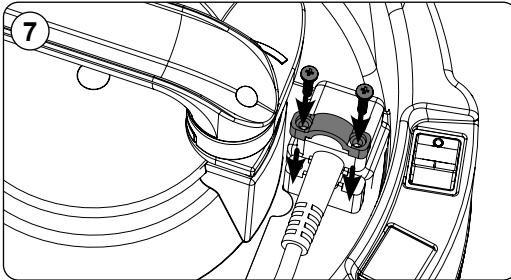
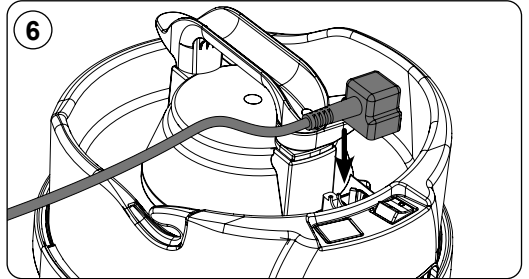
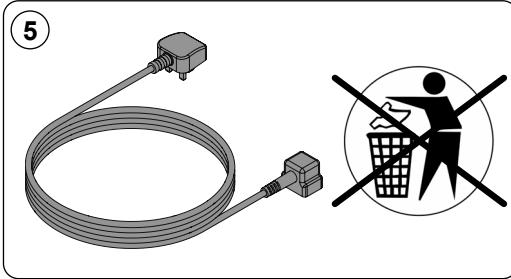
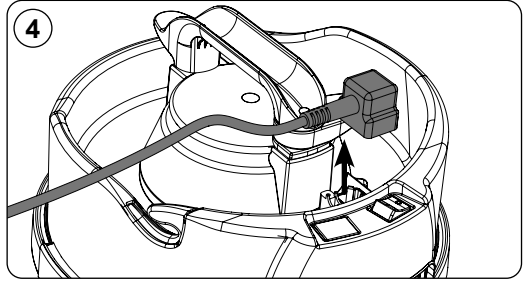
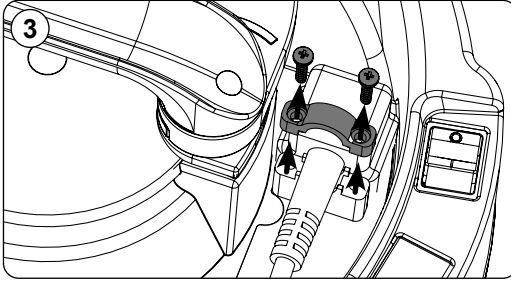
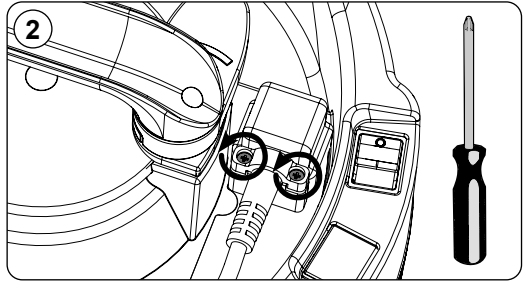
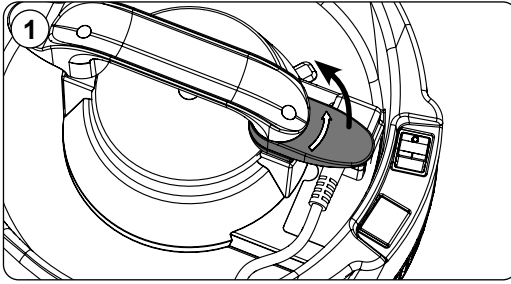
AiroBrush

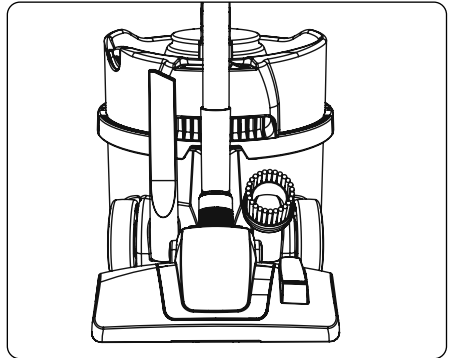
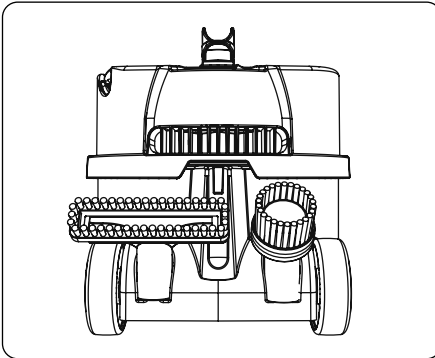
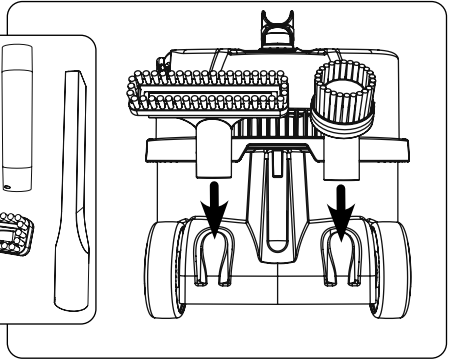
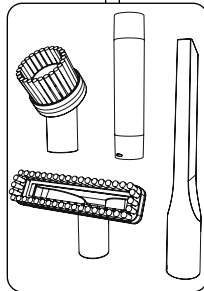
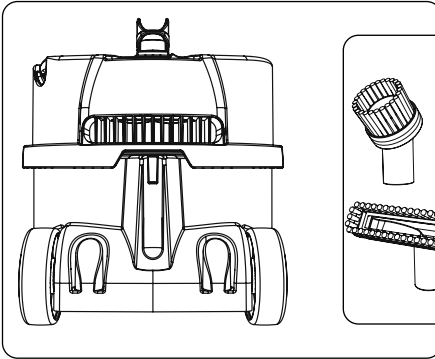
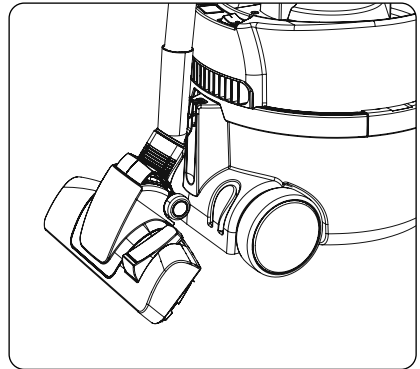
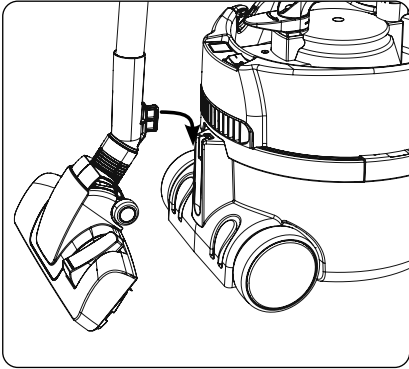


EcoBrush

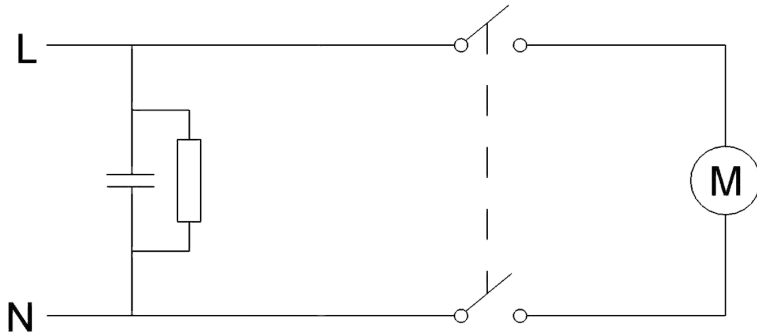








Schematic Diagram



Replacement parts

| TriTex Filter, Primärfilter, Filter, Filter | |
|---|------------------------------------|
| 604165 | TriTex Filter |
| HepaFlo Dust Bags, Gleitschiene, Filtre, Zakken | |
| 604015 | 180 NVM 1CH Dust Bags (Pack of 10) |

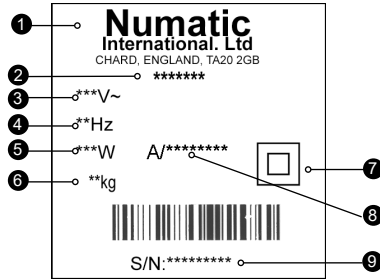
Data

| | 1 | 2 | 3 | 4 | 5 | 6 |
|----------------------|-----|--------|--------|--------------------------|----------|--------------------------|
| 180 (420W) | 8 L | 26.4 m | 6.0 Kg | LpA ≤ 70 dB(A) 0.5 dB | Class II | 340 mm x 365 mm x 360 mm |

| 1 | 2 | 3 | 4 | 5 | 6 |
|---------------------|---------------------|-------------------------------------|--|----------------------|-------------|
| Drum Size | Cleaning Range | Weight (Ready to work) | Sound Pressure (LpA) Uncertainty (KpA) | Protection Class | Dimensions |
| Kesselgröße | Reinigungsbereich | Gewicht (betriebsbereit) | Schalldruck (LpA) Unsicherheit (KpA) | Schutzklasse | Abmessungen |
| Taille de cuve | Champs d'action | Poids (prêt à l'emploi) | Pression acoustique (LpA) Incertitude (KpA) | Classe de protection | Dimensions |
| Ketel afmeting | Bereik | Gewicht (klaar voor gebruik) | Geluidsdruk (LpA) Onzekerheid (KpA) | Veiligheidsklasse | Afmetingen |
| Tamanho do tambor | Alcance da limpeza | Peso (pronto a utilizar) | Pressão sonora (LpA) Incerteza (KpA) | Classe de protecção | Dimensão |
| Capacità serbatoio | Campo di pulizia | Peso (apparecchio pronto per l'uso) | Pressione sonora (LpA) Incertezza (KpA) | Classe di protezione | Dimensioni |
| Tamaño del cilindro | Alcance de limpieza | Peso (lista para el uso) | Presión sonora (LpA) Incertidumbre (KpA) | Clase de protección | Dimensiones |

Rating Label

| | |
|---|-------------------------------|
| 1 | Company Name & Address |
| 2 | Model |
| 3 | Voltage / Alternating Current |
| 4 | Frequency |
| 5 | Rated Input Power |
| 6 | Weight |
| 7 | Protection Class 2 Symbol |
| 8 | Approval Mark |
| 9 | Machine yr/wk Serial Number |



Daily

Keep the machine clean, including hoses and tubes.
 Ensure the bag and filter are fitted.
 Regularly examine the power cord.
 Check dust bag frequently.
 Check filters are clean.

Weekly - as daily and:-

Check for any worn or damaged parts and replace immediately.

Maintenance

PPE (personal protective equipment). That may be required for certain operations.

| | | | | |
|----------------|---------------------|-----------------------------|---------------|--------------------|
| | | | | |
| Ear Protection | Safety Footwear | Head Protection | Safety Gloves | |
| | | | | |
| Eye Protection | Protective Clothing | Dust / Allergens Protection | Hi Viz Jacket | Caution Floor Sign |

NOTE: A risk assessment should be conducted to determine which PPE should be worn.

Safety Critical Components

Mains leads:

HO5-VV-F 10 m x 2 Core x 1.00 mm²

GTSA 10 m x 2 Core x 1.00 mm²

WARNING

Read the instruction manual before using the machine.

Operators shall be adequately instructed on the use of their machine.

As with all electrical equipment, care and attention must be exercised at all times during use, in addition to ensuring that routine and preventative maintenance is carried out periodically to ensure safe operation.

Failure to carry out maintenance as necessary, including the replacement of parts to the correct standard could render this equipment unsafe and the manufacturer can accept no responsibility in this respect.

Maintenance should only be carried out by a qualified person.

This machine is for DRY USE only and must not be stored outside or used in wet conditions.

The machine shall be disconnected from the mains power by removing the plug from the power supply socket during cleaning or maintenance and when replacing parts or converting the machine to another function.

Only use the socket outlet on the machine for purposes specified in the instructions (if fitted).

This appliance is not intended for use by persons (including children) with reduced physical, sensory, or mental capabilities, or lack of experience and knowledge, unless they have been given supervision or instruction concerning use of the appliance by a person responsible for their safety.

This appliance is intended to be cleaned and maintained by an adult.

Children being supervised are not to play with the machine.

This machine is not a toy.

This machine is not suitable for picking up hazardous or explosive dust. Contact your local distributor if you require a machine capable of performing these tasks..

CAUTION

Ensure that the filtration system fitted to the machine is suitable for the material being collected.

This vacuum cleaner is intended for indoor use in the collection of dry materials.

This machine should be stored indoors only.

NOTES

This machine is intended for commercial use, for example in hotels, schools, hospitals, factories, shops, offices and rental businesses

This product complies with the requirements of clause 20 of IEC/EN 60335-2-69 Stability and Mechanical Hazards.

When moving from one place to another, consider the weight of the machine.

This vacuum cleaner is fitted with a thermal protection device. If the vacuum cleaner stops working, remove the plug from the wall before investigating where the fault lies.

If the vacuum cleaner has a blockage, switch off, remove the plug from the power socket, inspect the floor tool, tubes and hose for debris. If the floor tool, tubes and hose are clear, replace the dust bag and clean the filter.

The vacuum cleaner should be inspected after use for damage.

The vacuum cleaner should be stored in a dry place.

Make sure you use the appropriate floor tool for the surfaces to be cleaned (Carpet / Hard Floor).

DO

- Keep your machine clean including hoses and tubes.
- Change dust bag frequently.
- Keep filters clean.
- Keep diffuser filter (where fitted) clean.
- Use filter bags, they will enhance performance and help keep machine clean.
- Use a Numatic Original filter bag under fine dust conditions.
- Keep hoses and tubes clear.
- Replace any worn or damaged parts immediately.
- Only use the brushes provided with the machine. The use of other brushes may impair safety.
- Regularly examine the power cord. If damage is found such as cracking or ageing the power cord must be replaced by a qualified person.
- Only replace the power cord with the correct Numatic approved replacement part.

DO NOT

- Pull on the cable to unplug the machine from the power supply.
- Use to suck up hot ashes or lighted cigarette ends.
- Use steam cleaners or pressure washers to clean the machine or use in the rain.
- Immerse in water for cleaning.
- Attempt machine maintenance or cleaning unless the power supply plug has been removed from the supply outlet.
- Use in wet environments or to collect wet materials.
- Use hard floor tools on carpet.
- Under any circumstances place foreign objects including (but not limited to) air fresheners, air freshener capsules or scented beads of any type into the top filter of the machine. Doing so can be dangerous and risk damage to the machine and may invalidate the machine warranty.

Numatic

numatic.com

Numatic International Limited (Head Office)

Chard, Somerset TA20 2GB, UNITED KINGDOM

Tel: 01460 68600 numatic.com

Numatic International GmbH

Fränkische Straße 15-19, 30455 Hannover,

DEUTSCHLAND Tel: +49 (0) 511 984 2160 numatic.de

Numatic International Denmark

Fränkische Straße 15-19, 30455 Hannover, DEUTSCHLAND

Tel: +45 (0) 316 40808 numatic-online.dk

Numatic International S.A.S

13/17 rue du Valengelier, EAE la Tuilerie, 77500 Chelles, FRANCE

Tel: +33 (0) 164 726 161 numatic.fr

Numatic International BV

Vennootsweg 15, 2404 CG, Alphen aan den Rijn, NEDERLAND

Tel: +31 (0) 172 467 999 numatic.nl

Numatic International Schweiz AG.

Sihlbruggstrasse 3A, 6340 Baar, SCHWEIZ

Tel: +41 (0) 41 768 0760 numatic.ch

Numatic International (PTY) Ltd.

Cnr. 16th & Pharmaceutical Road, Randjes Park,

Midrand 1685, SOUTH AFRICA

Tel: +27 (0) 861 686 284 numatic.co.za

Numatic International ULDA

Rua Francisco da Silva Duarte, n°79,

4475-269 Santa Maria de Avioso, Castêlo da Maia, PORTUGAL

Tel: +351 220 047 700 numatic.pt

Numatic International Spain, S.L.U.

Av. Baix Llobregat, 5-7, Oficina bajos 1 (Parc Negocis Mas Blau II)

08820 El Prat de Llobregat (Barcelona), SPAIN

Tel: +34 93 647 22 22 numatic.es

Numatic International Italy S.R.L

Via Luigi Galvani, 2, Z.I. Talponedo, 33080 Porcia (PN), ITALY

Tel: +39 (0) 434 046 211 numatic.it

Edco, Edgar Edmondson Pty Ltd

Head Office: PO Box 198, Marrickville, NSW 1475, AUSTRALIA

Delivery & Shipping Address

18 Garden St, Marrickville, NSW 2204, AUSTRALIA

Office Number: +61 (0)2 9557 4411, Fax Number: +61 (0)2 9519 9223,

Email: orders@edmondson.net.au ABN: 27 000 450 144

Proquip NZ Ltd

7a Peterkin Street, Taita, Lower Hutt, 5019

Tel: +64 4 566 7847, Fax: +64 4 576 0430

Web: www.proquipnz.co.nz